

POWERED
SPEAKER

MS400



Quality Power, Quality Sound



The MS400 is designed with a lightweight, rugged enclosure that both looks and sounds great. Each unit is equipped with a simple but effective mixer and built-in bi-amplifier for powering the low frequency driver with 300 watts and high frequency driver with 100 watts of power. Its design also allows for a wide range of setups since it is flyable, stackable and pole mountable right out of the box. You can even lay it on its side to make a floor monitor if need be.

The other things that make the MS400 a great loudspeaker are explained within, but to really understand what it's all about, give them a listen at your Yamaha dealer.

Built-in Bi-Amplified Power

Built-in bi-amplified power provides the best possible performance since the amplifier can be designed to work specifically with the speaker to which it is connected. In the MS400, a 300-watt low-frequency power amplifier powers a newly designed 15" woofer equipped with a neodymium magnet for efficient output and reduced weight. The 2" titanium diaphragm compression driver is powered with a 100-watt high frequency power amplifier. Both amplifiers utilize Yamaha's EEEngine technology to deliver high quality audio performance more efficiently than conventional power amplifiers. Another plus to consider is built-in power eliminates the need for external power amplification making transport and setup of the MS400 easier than conventional systems.

Mixer and Connections

A simple but effective mixer built into the rear of each unit provides independent MIC and LINE inputs, complete with a separate gain control on each input, a two-band EQ (Low, High) and a Master Volume control. Inputs consist of a balanced XLR jack for Mic input with both a balanced XLR and Phone connector supplied for the LINE input. The LINE signal can be sent to other speakers via a Parallel output jack, which allows the daisy chaining of multiple speakers, and a headphones jack is also supplied for monitoring.

EEEngine Technology

Making efficient use of AC power Yamaha's EEEngine (Energy Efficient Engine) technology greatly reduces power consumption while maintaining output power and sound quality. This also results in cooler running amps, important in a speaker with built-in power, which creates a more reliable system.

Easy and Versatile Setting

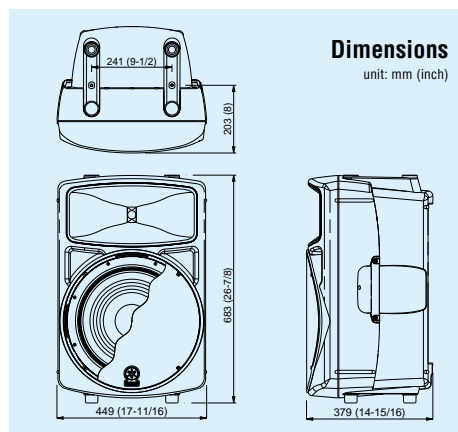
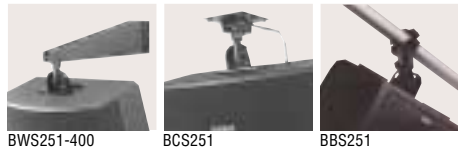
When it comes to setup, the MS400 provides the user with a wide variety of ways to place the speakers. Being flyable, stackable and pole mountable lets you suspend them from the ceiling, stack them on the floor or attach them to speaker stands. Optional mounting brackets, used in combination with the Bracket Adaptor (BAD251), provide the alternative of mounting them on the wall or from the ceiling. You can even lay them on their side and use them as floor monitors if necessary.

Let Your Ears Decide

Yamaha is no newcomer when it comes to creating great sounding sound systems. With experience in designing systems like our popular Club Series Speakers, the MS400 is also designed to sound superb.

Optional Accessories

- Bracket Adaptor: BAD251
(The BAD251 Bracket Adaptor is required for attachment of the following brackets.)
- Wall Bracket: BWS251-400
- Ceiling Bracket: BCS251
- Baton Bracket: BBS251



Rear Panel

Specifications

General	
Type	Amplified 2way bass reflex powered speaker (Bi-amplified electronic cross over network)
Components	LF: 15" cone HF: 2" VC, titanium diaphragm compression driver
Frequency Response	50Hz-16kHz (-10dB)
Maximum SPL	124.5dB (1m)
Dispersion	90° (H) / 40° (V)
Dimensions (W × H × D)	449 × 683 × 379 mm (17-11/16" × 26-7/8" × 14-15/16")
Weight	24.2kg (53.4 lbs)
Amplifier Section	
Maximum Output Power	LF: 300W at 500Hz. THD=1%, RL=4Ω HF: 100W at 5kHz. THD=1%, RL=16Ω
Crossover Frequency	1.6kHz (30dB/oct)
Input Sensitivity	LINE: +4dB* MIC: -50dB*
Input Impedance	LINE: 30kΩ MIC: 5kΩ
Controls	Level Control MASTER, MIC, LINE EQ LOW 0 (Max) ~ -10dB (Min) at 55Hz HIGH±3dB
Power switch	On/Off
Connectors	LINE XLR-3-31, XLR-3-32, Phone Input/output (balanced, parallel) MIC Input XLR-3-31 (balanced)
Indicator	Green LED Power on
Power Requirement	US & Canadian Models: AC120V 60Hz European Models: AC230V 50Hz AT Models: AC240V 50Hz
Power Consumption	US & Canadian Models: 120W European Models: 120W AT Models: 120W
Option	Wall Bracket: BWS251-400 Ceiling Bracket: BCS251 Baton Bracket: BBS251 Bracket Adaptor: BAD251

*0dB=0.775V

Specifications and appearances are subject to change without notice.

YAMAHA Web Site

<http://www.yamaha.co.jp/english/>
<http://www.yamaha.co.jp/product/proaudio/homeenglish/>



This document is printed on chlorine-free (ECF) paper with soy ink.

 **YAMAHA**
YAMAHA CORPORATION
P.O.Box 1, Hamamatsu, Japan

LPA449 | 0012230 | Printed in Japan